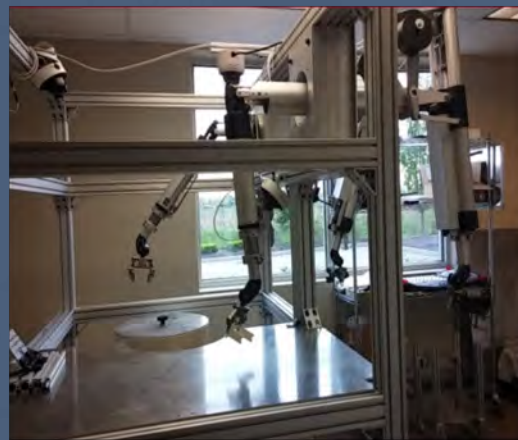


Cloud-Based Nuclear Medicine Equipment and Cyclotron Accessories

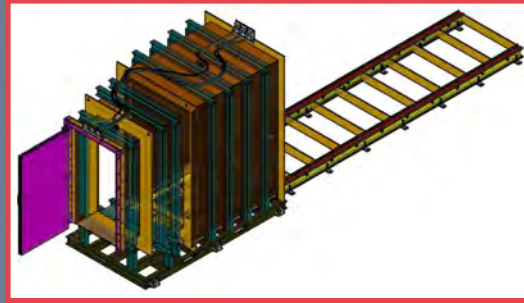


Fully Financed and Operated Equipment and Command Center

 **Solutions**

Neutron Doors

- Industry leading "step" design for maximum containment
- Interchangeable final plug media (boronated polyethylene standard)
- Integrated door safety interlock system
- Custom door design and radiation models available
- Integrated, web based controls



Access Control & Cameras

- Dual door
- Anti-passback
- Integrated to camera system and intrusion detection
- 21 CFR part 4 Compliant

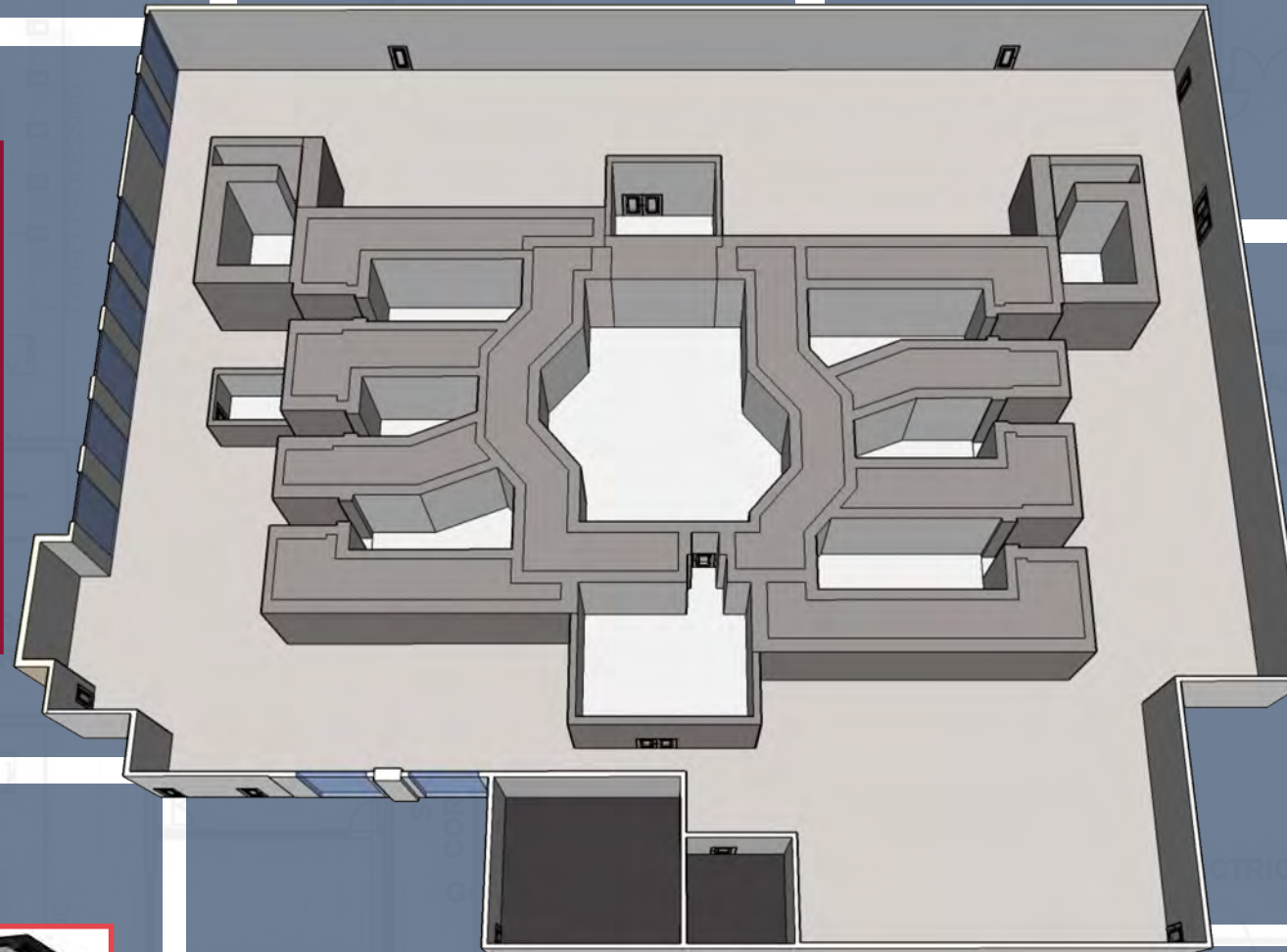
Custom Hot Cell

- Unique "variable lead" design allows for lead thickness to be expanded
- All ISO levels available
- Integrated, web based controls
- Adjustable height
- VR vision system



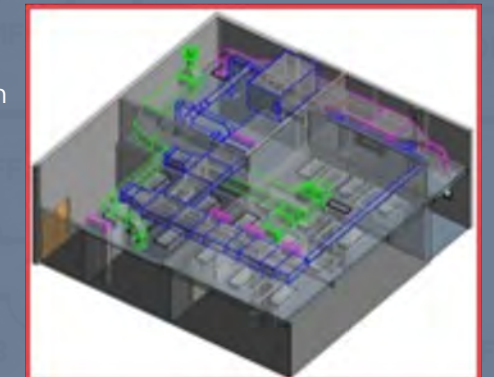
Modular Hot Cell

- Unique modular design can be expanded for as many cells as needed
- Removable end caps allow for expansion
- Pass through from cell to cell available
- Computational Fluid Dynamic modeling for air flow
- Stainless steel or powder coat available
- All features of standard hot cell available



Clean Rooms

- Turnkey construction
- Stainless steel or standard construction walls, ceilings, doors
- HVAC system All ISO levels
- LED lighting systems
- Variable speed systems
- Standalone system or integrated with building systems



Shielded BioSafety Cabinet

- All ISOs available
- Lead shielding available up to 4"
- Easy sliding door system
- Polished stainless interior
- LED lighting
- Color touch screen control system
- Integrated, web based controls



Radiation Monitoring System

- Centralized radiation monitoring package
- Integrates with access control package
- WEB based control systems
- Yearly, monthly, daily dosage reporting
- Customized reporting available for all jurisdictions
- Personnel training within facility
- Individual monitoring & reporting

Integrated, Web-based Command Center

- Customizable to meet FDA reporting standards
- Trending and histories for all equipment
- Equipment alarms reported remotely

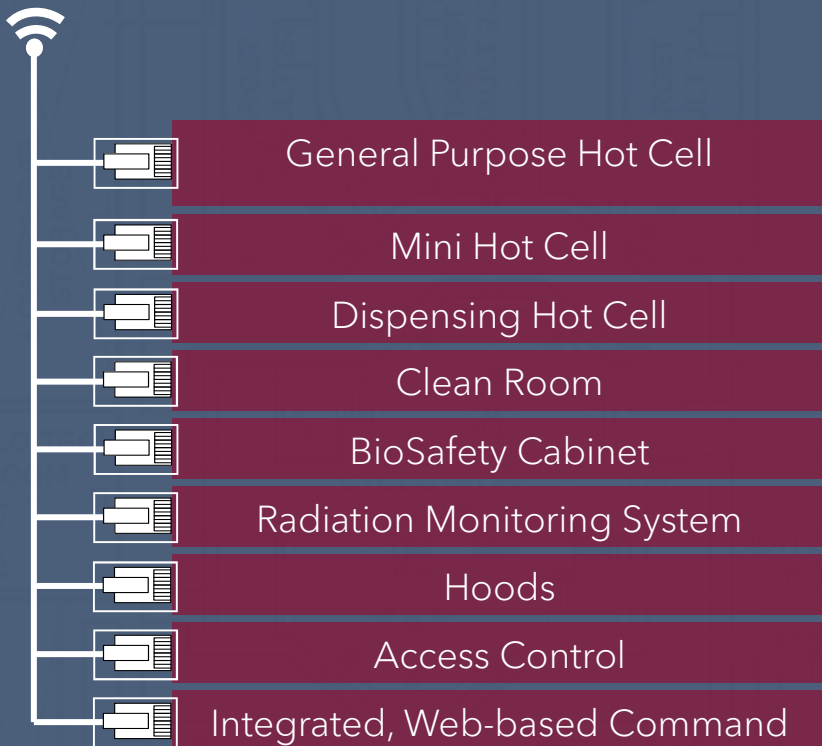
LAF Hoods

- Standard or custom design
- Fully controlled and integrated into command center





E Solutions



Contact Us:

- E Solutions. 3144 N. Shadeland Ave. Indianapolis, IN 46226
- P: 1-866-863-1160