



Shielding Products



Mini Hot Cell



General Purpose Hot Cell



Dispensing Hot Cell



Clean Room



BioSafety Cabinet



Radiation Monitoring System



Hoods



Access Control



Integrated, Web-based Command

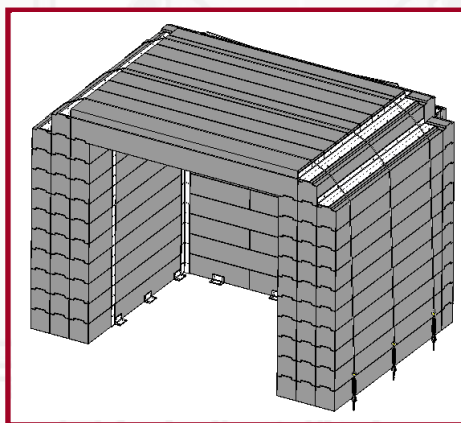
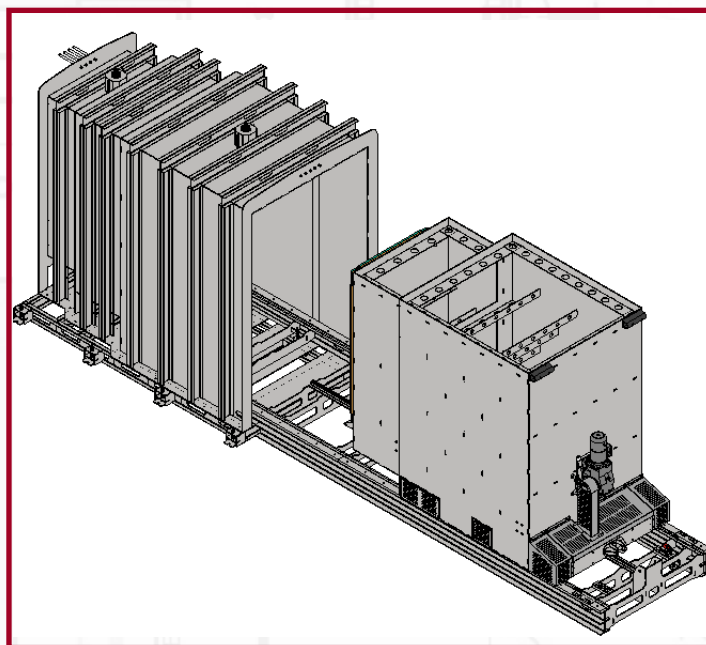
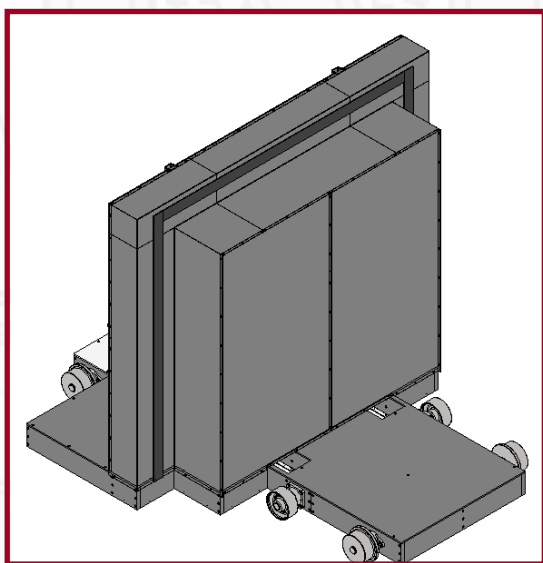
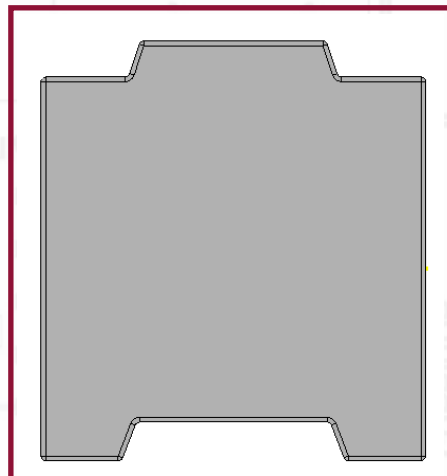
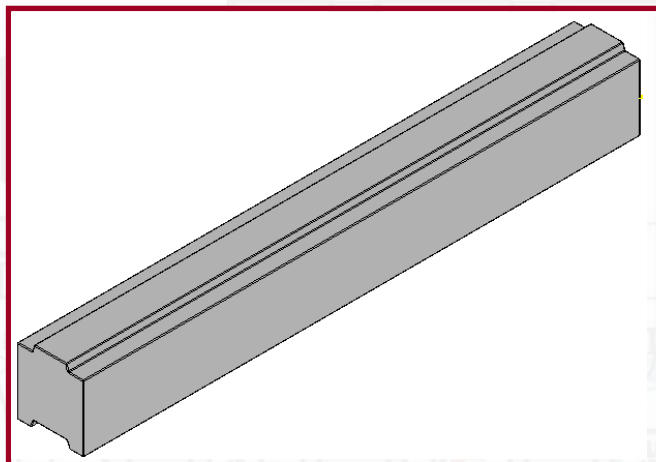
Contact Us:

- E Solutions. 3144 N. Shadeland Ave. Indianapolis, IN 46226
- P: 1-866-863-1160



Cloud Based Nuclear Medicine Equipment

Shielding Components



Shielding Features

Concrete Shielding Blocks

- Unique modular design can be used to build any sort of containment area
- 10" x 10" concrete blocks can be poured to custom lengths up to 98"
- Concrete blocks have precisely designed interlocking profile to provide maximum containment
- Sized to fit into small existing areas

Shielded Doors

- Industry leading "step" design for maximum containment
- Interchangeable final plug media (boronated polyethylene standard)
- Integrated door safety interlock system
- Integrated, web based controls
- Custom door design and radiation models available